

Request for commutator

From	Company:	Mr:
	Address:	Phone:
	E-mail:	Fax:

PLD Collettori

PLD COLLETTORI
Fornitore Qualificato



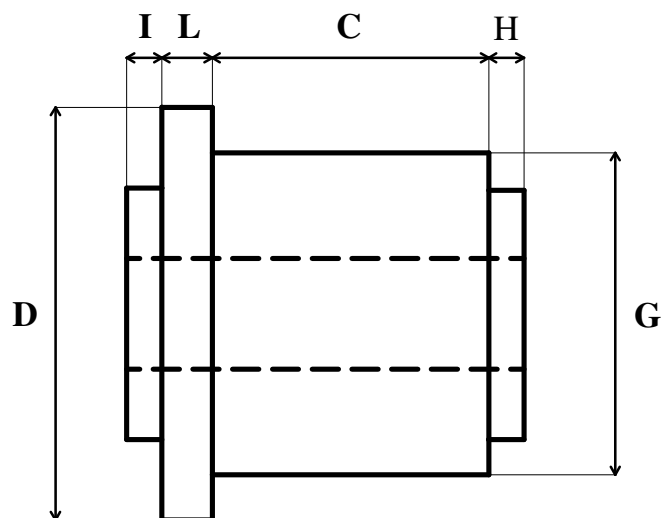
Via Cavallara n° 18
36040 Valdagno
Vicenza Italy

Tel 00 - 39 - (0)445 - 745097

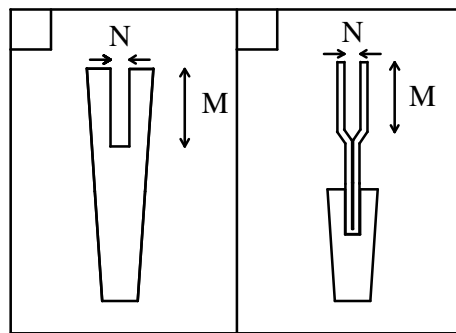
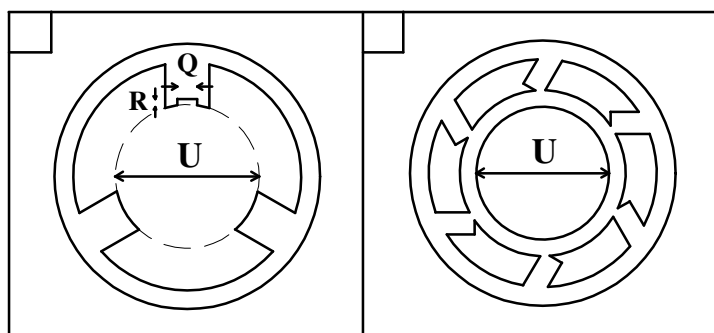
Fax 00 - 39 - (0)445 - 745072

E-mail info@pldcollettori.it

Internet www.pldcollettori.it



Quantity		
Segments	n°	
Ø Riser	D	
Ø Brush track	G	
Ø Bore	U	
Brush track length	C	
Riser width	L	
Rear flange	I	
Front flange	H	
Slotting width	N	
Slotting depth	M	
Keyway width	Q	
Keyway depth	R	
N.Arms	n°	
Max speed	rpm	



NOTES: